

# Low Pressure Capsule Gauges

## Type 611.10, Standard Design, Copper Alloy Wetted Parts

## Type 631.10, Stainless Steel Wetted Parts

WIKA Datasheet 611.10

### Applications

- Low pressure gauge for applications in a controlled environment
- Ideal for measuring pressure, vacuum in medical, environmental, and laboratory applications for content and filter monitoring
- For gaseous, dry and non-aggressive media
- Model 631.10 also suited for aggressive (dry) media

### Product Features

- Front zero adjustment
- Special connections on request
- Scale ranges from 0/10 InWC (25 mbar)

### Specifications

#### Design

Per EN 837-3

#### Nominal size

2" (50 mm), 2½" (63 mm)

#### Accuracy

± 1.6 of full scale value

#### Standard ranges

2": 0...25 InWC (60 mbar) to 0...250 InWC (600 mbar)  
 2½": 0...10 InWC (25 mbar) to 0...250 InWC (600 mbar)  
 or all other equivalent vacuum or combined pressure  
 and vacuum ranges

#### Standard scales

InH<sub>2</sub>O/mmH<sub>2</sub>O  
 oz/sq.in/mmH<sub>2</sub>O  
 oz/sq.in/InH<sub>2</sub>O  
 PSI

#### Pressure limitation

Steady: full-scale value  
 Fluctuating: full-scale value

#### Permissible temperature

Ambient: -4 °F... +140 °F (-20 °C... +60 °C)  
 Media: +212 °F (100 °C) maximum



Capsule Pressure Gauge Model 611.10

#### Temperature error

Additional error when temperature changes from reference temperature of 68 °F (20 °C) ± 0.5% of span for every 18 °F (10 °K) rising or falling

#### Ingress protection

NEMA 2 (IP 32 per EN 60529 / IEC 529)

#### Process connection

Model 611.10: copper alloy  
 Model 631.10: Stainless steel  
 Lower mount (LM) or back mount (CBM)  
 2" back mount only  
 ¼" NPT male (14 mm wrench flats)

#### Process element

Model 611.10: copper alloy  
 Model 631.10: Stainless steel

#### Sealing

NBR

#### Movement

Copper alloy

#### Zero adjustment

At the front

**Dial**

Aluminum, white, black lettering

**Pointer**

Aluminum, black

**Case**

Steel, black

**Window**

Clear plastic

**Options**

- Other process connection
- Stainless steel case
- Overpressure and vacuum safety with
  - scale ranges < 16 InWC (40 mbar): 3X full scale value
  - scale ranges ≥ 16 InWC (40 mbar): 10X full scale value
- Slip-on bezel <sup>1)</sup>
- Triangular bezel with clamp <sup>1)</sup>

<sup>1)</sup> also for size 2"**Approvals**

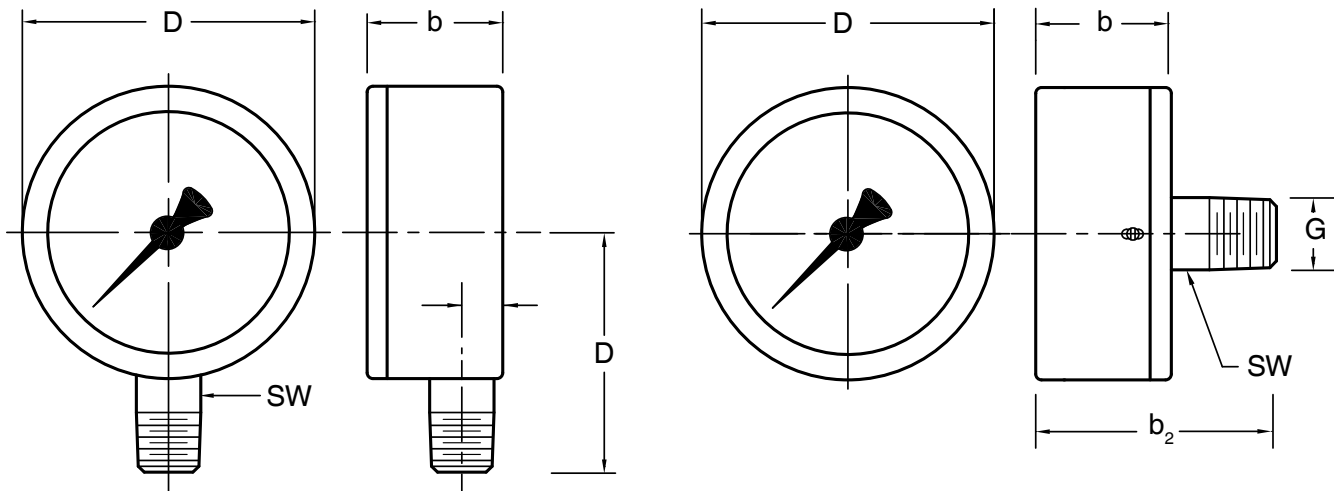
- GOST, metrology/measurement technology, Russia
- GOST R, import certificate, Russia

**Certificates <sup>2)</sup>**

- 2.2 test report per EN 10204 (e.g. state-of-the-art manufacturing, material proof, indication accuracy)
- 3.1 inspection certificate per EN 10204 (e.g. material proof for wetted metallic parts, indication accuracy)

<sup>2)</sup> Option

Approvals and certificates - see website



Size	Dimension in inches								Weight in LBS
	a	b	b <sub>1</sub>	b <sub>2</sub>	D	G	h + 1	SW	
2"	-	-	1.10	1.89	50	1/4" NPT	-	.55	0.20
2 1/2"	.37	1.57	1.44	2.19	63	1/4" NPT	2.00	.55	0.44

**Ordering information**

Model / Connection location / Wall mount or panel mount / Inner dimensions of the threaded pressure connection / Scale range / Options

**Ordering information**

Pressure gauge model / Nominal size / Scale range / Size of connection / Optional extras required  
 Specifications and dimensions given in this leaflet represent the state of engineering at the time of printing.  
 Modifications may take place and materials specified may be replaced by others without prior notice.



**WIKA Instrument, LP**  
 1000 Wiegand Boulevard  
 Lawrenceville, GA 30043-5868  
 Tel: 888-WIKA-USA • 770-513-8200  
 Fax: 770-338-5118  
 E-Mail: info@wika.com  
 www.wika.com

Recommended panel cut-out: D + 1mm